

bf1 systems Wind Tunnel Pushrod Loadcell

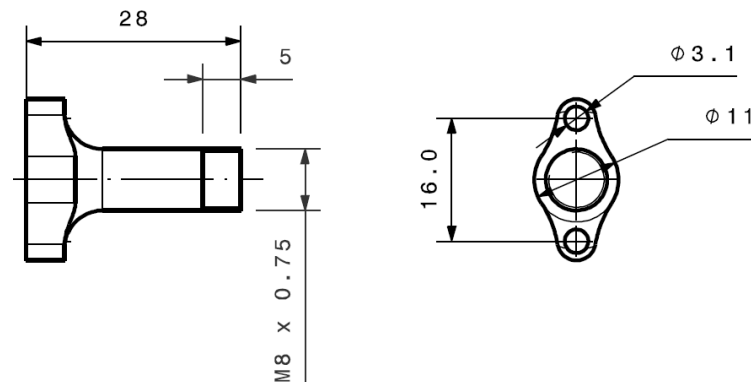
The bf1systems Wind Tunnel Push Rod Loadcell is designed to mount onto the wind tunnel model to measure model Lift forces.

One loadcell is fitted on each corner of the model in-line with the pushrod. From the data obtained from the loadcells, it is possible to determine Lift on each corner of the model.

Each loadcell is individually designed for each specific customer. From a supplied space envelope we are able to adapt the design of the loadcells to suit, taking into consideration the customers preferred fixing arrangements

The drawing below shows a typical loadcell design.

The component force ranges can be specified to the exact requirements of the application



Specification

Electrical

- Typical component force range
- Remote amplification available
- Non-linearity <0.5%
- Hysteresis <0.5%
- Repeatability <0.5%
- Thermal zero shift over compensated range 0.1%
- Thermal sensitivity shift over compensated range 0.1%
- Thermal sensitivity shift over compensated range 0.2% FSO

Please note that specification figures are nominal and change with each specific application

