

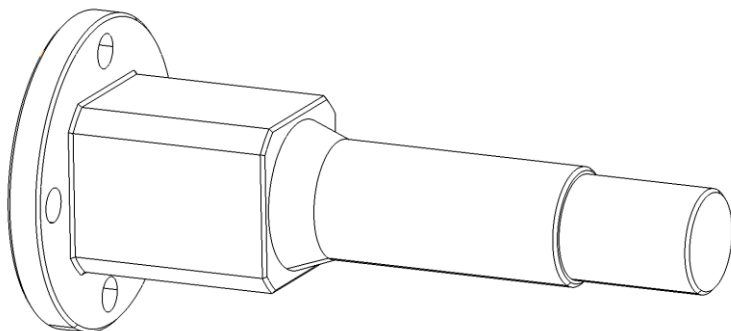
bf1 systems Wind Tunnel Axle Loadcell

The bf1systems Wind Tunnel Axle Loadcell is designed to mount onto the wind tunnel model to measure model Lift and Drag forces.

One loadcell is fitted on each corner of the model to the upright and the wheel is attached to the end of the loadcell. From the data obtained from the loadcells, it is possible to determine Lift and Drag on each corner of the model.

Each loadcell is individually designed for each specific customer. From a supplied space envelope we are able to adapt the design of the loadcells to suit, taking into consideration the customers preferred fixing arrangements for mounting the loadcell to the upright and the wheel attachment.

The component force ranges can be specified to the exact requirements of the application



Specification

Electrical

- Typical component force ranges,
Fz – 500N
Fx – 500N
- Remote amplification available
- Non-linearity <0.05%
- Hysteresis <0.05%
- Typical component cross talk <1%
- Repeatability <0.5%
- Thermal zero shift over compensated range 0.1%
- Thermal sensitivity shift over compensated range 0.1%
- Thermal sensitivity shift over compensated range 0.2% FSO

Please note that specification figures are nominal and change with each specific application

